

5065

Wheel Loaders 0.35 - 0.65 m³



The compact genius among wheel loaders

Compact and manoeuvrable wheel loaders for various applications with performance hydraulics power flow (option). With an optimised power to weight ratio, low shipping weight and continuous high payload, the efficiency of this model series is of great benefit to end users.

- One-piece frame and all-wheel steering
- Hydraulic quick coupler system and parallel-controlled loading system
- Spacious cabin with perfect all-round visibility
- Efficient drive and low operating costs
- Versatility through third control circuit and power flow

5065

Wheel Loaders 0.35 - 0.65 m³

Technical specifications

Operating data

Bucket capacity (standard bucket)	0.65 m ³
Operating weight	3,800 kg

Engine / Motor

Engine / Motor manufacturer	Yanmar
Engine performance	35 kW

Power transmission

Travel speed (standard)	20 km/h
Travel speed (optional)	30 km/h
Differential lock	100% connectable
Standard tires	12.0-18

Steering and operating hydraulics

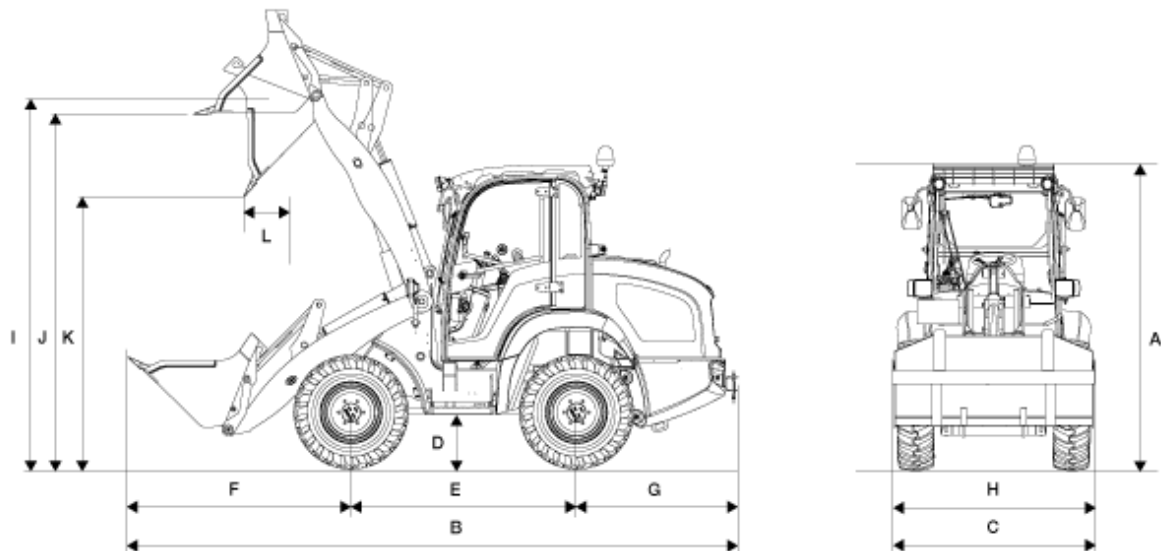
Flow rate (pump)	56 l/min
Pressure (maximum)	235 bar
Flow rate (optional)	90 l/min

Kinematics

Tipping load (with bucket)	2,340 kg
Payload (S=1.25)	1,750 kg

Additional technical data is available in the detailed brochure in the informational material section

Dimensions



A	Height	2,390 mm
B	Length	4,950 mm
C	Width	1,595 mm
D	Ground clearance	280 mm
E	Wheelbase	1,850 mm
F	Center of front axle to tip of teeth	1,780 mm
G	Center of rear axle to end of vehicle	1,320 mm
H	Bucket width	1,650 mm
I	Bucket pivot point	3,050 mm
J	Overhead loading height	2,900 mm
K	Dumping height	2,330 mm
L	Dump reach	300 mm
	Stack height	2,830 mm

Turning radius (over tyres)

2,700 mm

Information on suitable accessories can be found on our website.

The right to make changes is reserved in the interests of ongoing further developments. You can find more information on the engine power in the operator's manual. The actual power output figures may vary due to specific operating conditions.

Information on suitable accessories can be found on our website. More detailed information on engine power can be found in the operator's manual; the stated power may vary due to specific operating conditions. Subject to alterations and errors excepted. Applicable also to illustrations. Copyright © 2015 Kramer-Werke GmbH.